

**1A 3-TERMINAL POSITIVE VOLTAGE REGULATOR**

**Description**

The AS78XXA series are three terminal positive voltage regulators designed for a wide variety of applications including local, on-card regulation.

The AS78XXA are complete with internal current limiting, thermal shutdown protection, and safe-area compensation which make them virtually immune from output overload. If adequate heat sinking is provided, these regulators can deliver output currents up to 1A.

The AS78XXA are available in TO-252-2 (3), TO-252-2 (4), TO-252-2 (5), TO-220-3 and TO-220F-3 packages.

**Applications**

- High Efficiency Linear Regulator
- Post Regulation for Switching Supply
- Microprocessor Power Supply
- Mother Board

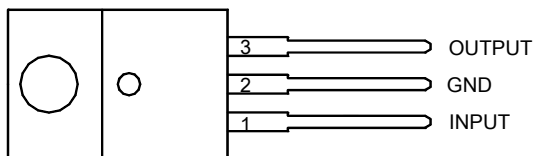
**Features**

- Output Current up to 1A
- Fixed Output Voltages of 5V, 6V, 8V, 9V, 12V, 15V and 18V
- Output Voltage Accuracy of  $\pm 4\%$  over the Full Temperature Range
- Internal Short Circuit Current Limiting
- Internal Thermal Overload Protection
- Output Transistor Safe-area Protection
- Low Load Regulation
- Stable Performance in High Temperature
- TO-220-3 and TO-220F-3
  - **Lead-Free Finish; RoHS Compliant (Notes 1 & 2)**
- Lead-Free Packages: TO-252-2 (3), TO-252-2 (4), TO-252-2 (5)
  - **Totally Lead-Free; RoHS Compliant (Notes 4 & 2)**
- Available in "Green" Packages: TO-220-3 and TO-220F-3
  - **Lead-Free Finish; RoHS Compliant (Notes 1 & 2)**
  - **Halogen and Antimony Free. "Green" Device (Note 3)**
- Lead-Free Packages, Available in "Green" Molding Compound: TO-252-2 (3), TO-252-2 (4), TO-252-2 (5)
  - **Totally Lead-Free & Fully RoHS Compliant (Notes 4 & 2)**
  - **Halogen and Antimony Free. "Green" Device (Note 3)**

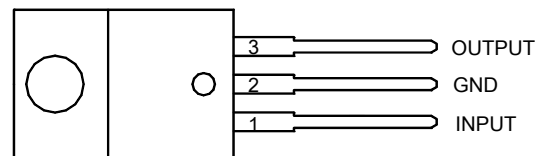
- Notes:
1. EU Directive 2002/95/EC (RoHS) & 2011/65/EU (RoHS 2) compliant. All applicable RoHS exemptions applied.
  2. See [http://www.diodes.com/quality/lead\\_free.html](http://www.diodes.com/quality/lead_free.html) for more information about Diodes Incorporated's definitions of Halogen- and Antimony-free, "Green" and Lead-free.
  3. Halogen- and Antimony-free "Green" products are defined as those which contain <900ppm bromine, <900ppm chlorine (<1500ppm total Br + Cl) and <1000ppm antimony compounds.
  4. No purposely added lead. Fully EU Directive 2002/95/EC (RoHS) & 2011/65/EU (RoHS 2) compliant.

**Pin Assignments**

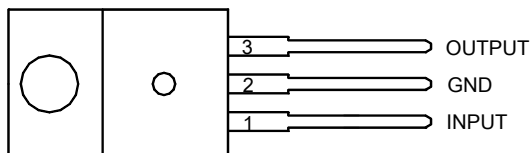
T Package  
(TO-220-3) (Option 1)



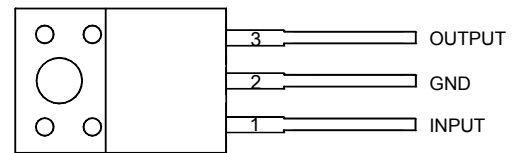
T Package  
(TO-220-3) (Option 2)



T Package  
(TO-220-3) (Option 3)



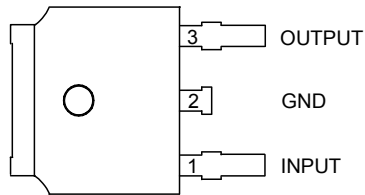
TF Package  
(TO-220F-3)



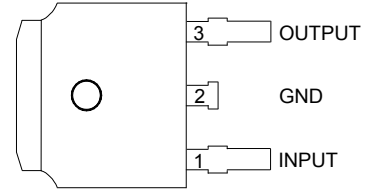
**Pin Assignments** (Cont.)

D Package

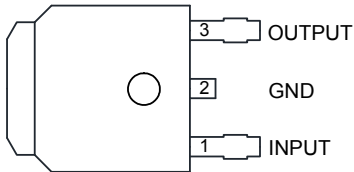
(TO-252-2 (3)) (Option 1)



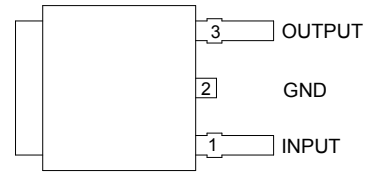
(TO-252-2 (3)) (Option 2)



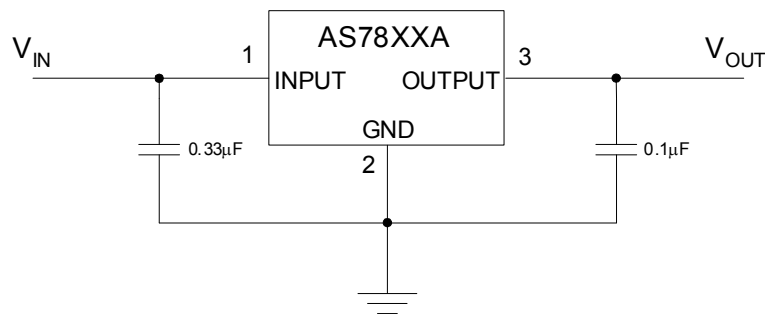
(TO-252-2 (4))



(TO-252-2 (5))



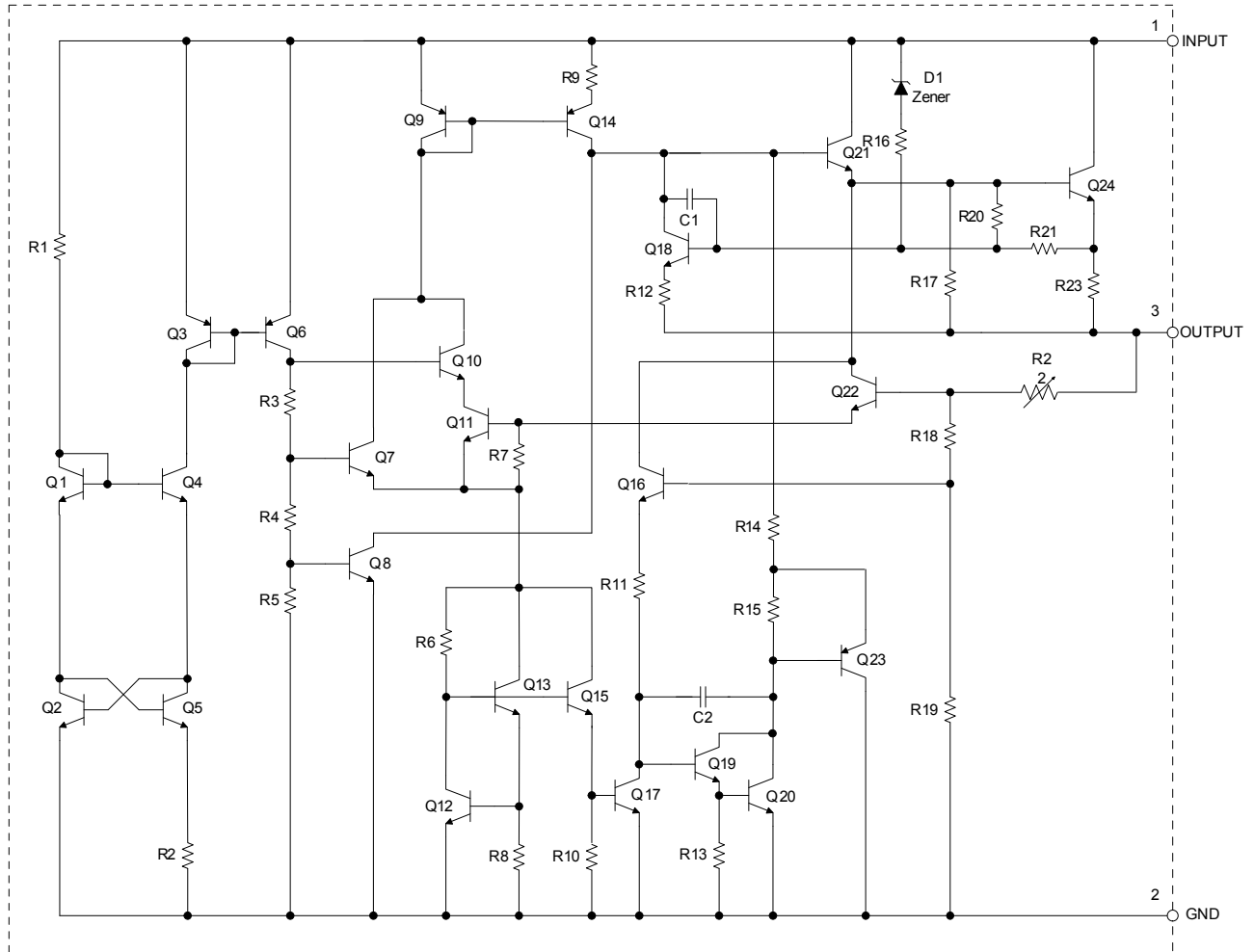
**Typical Applications Circuit**



**Pin Descriptions**

Pin Number	Pin Name	Function
1	INPUT	Voltage Input
2	GND	Ground
3	OUTPUT	Voltage Output

**Functional Block Diagram**



### Absolute Maximum Ratings (Note 5)

Symbol	Parameter	Rating	Unit
$V_{IN}$	Input Voltage	36	V
$T_{LEAD}$	Lead Temperature (Soldering, 10sec)	+260	°C
$P_D$	Power Dissipation	Internally Limited	W
$T_J$	Operating Junction Temperature	+150	°C
$T_{STG}$	Storage Temperature Range	-65 to +150	°C
$\theta_{JA}$	Thermal Resistance	TO-220-3	60
		TO-252-2 (3)/TO-252-2 (4)/TO-252-2 (5)	100
		TO-220F-3	60
ESD	ESD (Human Body Model)	6000	V
ESD	ESD (Machine Model)	500	V

Note 5: Stresses greater than those listed under “Absolute Maximum Ratings” may cause permanent damage to the device. These are stress ratings only, and functional operation of the device at these or any other conditions beyond those indicated under “Recommended Operating Conditions” is not implied. Exposure to “Absolute Maximum Ratings” for extended periods may affect device reliability.

### Recommended Operating Conditions

Symbol	Parameter	Min	Max	Unit	
$V_{IN}$	Input Voltage	AS7805A	–	25	V
		AS7806A	–	26	
		AS7808A	–	28	
		AS7809A	–	29	
		AS7812A	–	32	
		AS7815A	–	32	
		AS7818A	–	32	
$T_J$	Operating Junction Temperature Range	-40	+125	°C	

## Electrical Characteristics

**AS7805A** (@  $V_{IN} = 10V$ ,  $I_{OUT} = 1A$ ,  $T_J = -40$  to  $+125^\circ C$ , unless otherwise specified.)

Symbol	Parameter	Conditions	Min	Typ	Max	Unit
$V_{OUT}$	Output Voltage	$T_J = +25^\circ C$	4.9	5	5.1	V
		$I_{OUT} = 5mA$ to $1A$ , $V_{IN} = 7.5V$ to $20V$ , $P_D \leq 15W$	4.8	–	5.2	
$V_{RLINE}$	Line Regulation	$V_{IN} = 7.5V$ to $20V$ , $I_{OUT} = 500mA$ , $T_J = +25^\circ C$	–	25	50	mV
$V_{RLOAD}$	Load Regulation	$V_{IN} = 10V$ , $I_{OUT} = 5mA$ to $1A$ , $T_J = +25^\circ C$	–	20	50	mV
$I_Q$	Quiescent Current	$V_{IN} = 10V$ , $I_{OUT} = 0$	–	3.2	6	mA
$\Delta I_Q$	Quiescent Current Change	$V_{IN} = 8V$ to $25V$ , $I_{OUT} = 500mA$ , $T_J = +25^\circ C$	–	0.3	0.8	mA
		$I_{OUT} = 5mA$ to $1A$ , $T_J = +25^\circ C$	–	0.08	0.5	
PSRR	Ripple Rejection	$V_{IN} = 8V$ to $18V$ , $f = 120Hz$ , $I_{OUT} = 500mA$	–	70	–	dB
$V_{DROP}$	Dropout Voltage	$\Delta V_{OUT} = 1\%$ , $I_{OUT} = 1A$ , $T_J = +25^\circ C$	–	2	–	V
$N_O$	Output Noise Voltage	$f = 10Hz$ to $100kHz$ , $T_A = +25^\circ C$	–	10	–	$\mu V/V_O$
$R_O$	Output Resistance	$f = 1kHz$	–	10	–	m $\Omega$
$I_{SC}$	Short Circuit Current	$V_{IN} = 35V$ , $T_A = +25^\circ C$	–	0.05	–	A
$I_{PK}$	Peak Output Current	$V_{IN} = 10V$ , $T_J = +25^\circ C$	–	2.2	–	A
$\frac{\Delta V_{OUT}}{\Delta T}$	Output Voltage Temperature Coefficient	–	–	0.4	–	mV/ $^\circ C$
$\frac{(\Delta V_{OUT}/V_{OUT})/\square}{\Delta T}$		–	–	80	–	ppm/ $^\circ C$
$\theta_{JC}$	Thermal Resistance	TO-220-3	–	9	–	$^\circ C/W$
		TO-252-2 (3)/ TO-252-2 (4)/ TO-252-2 (5)	–	16	–	
		TO-220F-3	–	9	–	
		–	–	–	–	

**Electrical Characteristics** (Cont.)

**AS7806A** (@  $V_{IN} = 11V$ ,  $I_{OUT} = 1A$ ,  $T_J = -40$  to  $+125^\circ C$ , unless otherwise specified.)

Symbol	Parameter	Conditions	Min	Typ	Max	Unit
$V_{OUT}$	Output Voltage	$T_J = +25^\circ C$	5.88	6	6.12	V
		$I_{OUT} = 5mA$ to $1A$ , $V_{IN} = 8.6V$ to $21V$ , $P_D \leq 15W$	5.76	–	6.24	
$V_{RLINE}$	Line Regulation	$V_{IN} = 8.6V$ to $21V$ , $I_{OUT} = 500mA$ , $T_J = +25^\circ C$	–	25	60	mV
$V_{RLOAD}$	Load Regulation	$V_{IN} = 11V$ , $I_{OUT} = 5mA$ to $1A$ , $T_J = +25^\circ C$	–	20	60	mV
$I_Q$	Quiescent Current	$V_{IN} = 11V$ , $I_{OUT} = 0$	–	3.2	6	mA
$\Delta I_Q$	Quiescent Current Change	$V_{IN} = 8.6V$ to $21V$ , $I_{OUT} = 500mA$ , $T_J = +25^\circ C$	–	0.3	0.8	mA
		$I_{OUT} = 5mA$ to $1A$ , $T_J = +25^\circ C$	–	0.08	0.5	
PSRR	Ripple Rejection	$V_{IN} = 9.5V$ to $19.5V$ , $f = 120Hz$ , $I_{OUT} = 500mA$	–	65	–	dB
$V_{DROP}$	Dropout Voltage	$\Delta V_{OUT} = 1\%$ , $I_{OUT} = 1A$ , $T_J = +25^\circ C$	–	2	–	V
$N_O$	Output Noise Voltage	$f = 10Hz$ to $100kHz$ , $T_A = 25^\circ C$	–	10	–	$\mu V/V_O$
$R_O$	Output Resistance	$f = 1kHz$	–	10	–	m $\Omega$
$I_{SC}$	Short Circuit Current	$V_{IN} = 35V$ , $T_A = +25^\circ C$	–	0.2	–	A
$I_{PK}$	Peak Output Current	$V_{IN} = 11V$ , $T_J = +25^\circ C$	–	2.2	–	A
$\frac{\Delta V_{OUT}}{\Delta T}$	Output Voltage Temperature Coefficient	–	–	0.5	–	mV/ $^\circ C$
$\frac{(\Delta V_{OUT}/V_{OUT})/\square}{\Delta T}$		–	–	80	–	ppm/ $^\circ C$
$\theta_{JC}$	Thermal Resistance	TO-220-3	–	9	–	$^\circ C/W$
		TO-252-2 (3)/ TO-252-2 (4)/ TO-252-2 (5)	–	16	–	
		TO-220F-3	–	9	–	
		–	–	–	–	

**Electrical Characteristics** (Cont.)

**AS7808A** (@ $V_{IN} = 14V$ ,  $I_{OUT} = 1A$ ,  $T_J = -40$  to  $+125^\circ C$ , unless otherwise specified.)

Symbol	Parameter	Conditions	Min	Typ	Max	Unit
$V_{OUT}$	Output Voltage	$T_J = +25^\circ C$	7.84	8	8.16	V
		$I_{OUT} = 5mA$ to $1A$ , $V_{IN} = 10.6V$ to $23V$ , $P_D \leq 15W$	7.7	–	8.3	
$V_{RLINE}$	Line Regulation	$V_{IN} = 10.6V$ to $23V$ , $I_{OUT} = 500mA$ , $T_J = +25^\circ C$	–	25	75	mV
$V_{RLOAD}$	Load Regulation	$V_{IN} = 14V$ , $I_{OUT} = 5mA$ to $1A$ , $T_J = +25^\circ C$	–	25	75	mV
$I_q$	Quiescent Current	$V_{IN} = 14V$ , $I_{OUT} = 0$	–	3.2	6	mA
$\Delta I_q$	Quiescent Current Change	$V_{IN} = 10.6V$ to $23V$ , $I_{OUT} = 500mA$ , $T_J = +25^\circ C$	–	0.3	0.8	mA
		$I_{OUT} = 5mA$ to $1A$ , $T_J = +25^\circ C$	–	0.08	0.5	
PSRR	Ripple Rejection	$V_{IN} = 11.5V$ to $21.5V$ , $f = 120Hz$ , $I_{OUT} = 500mA$	–	62	–	dB
$V_{DROP}$	Dropout Voltage	$\Delta V_{OUT} = 1\%$ , $I_{OUT} = 1A$ , $T_J = +25^\circ C$	–	2	–	V
$N_O$	Output Noise Voltage	$f = 10Hz$ to $100kHz$ , $T_A = +25^\circ C$	–	10	–	$\mu V/V_O$
$R_O$	Output Resistance	$f = 1kHz$	–	10	–	m $\Omega$
$I_{SC}$	Short Circuit Current	$V_{IN} = 35V$ , $T_A = +25^\circ C$	–	0.2	–	A
$I_{PK}$	Peak Output Current	$V_{IN} = 14V$ , $T_J = +25^\circ C$	–	2.2	–	A
$\Delta V_{OUT}/\Delta T$	Output Voltage Temperature Coefficient	–	–	0.64	–	mV/ $^\circ C$
$(\Delta V_{OUT}/V_{OUT})/\square \Delta T$		–	–	80	–	ppm/ $^\circ C$
$\theta_{JC}$	Thermal Resistance	TO-220-3	–	9	–	$^\circ C/W$
		TO-252-2 (3)/ TO-252-2 (4)/ TO-252-2 (5)	–	16	–	
		TO-220F-3	–	9	–	
		–	–	–	–	

**Electrical Characteristics** (Cont.)

**AS7809A** (@  $V_{IN} = 15V$ ,  $I_{OUT} = 1A$ ,  $T_J = -40$  to  $+125^\circ C$ , unless otherwise specified.)

Symbol	Parameter	Conditions	Min	Typ	Max	Unit
$V_{OUT}$	Output Voltage	$T_J = +25^\circ C$	8.82	9	9.18	V
		$I_{OUT} = 5mA$ to $1A$ , $V_{IN} = 11.5V$ to $23V$ , $P_D \leq 15W$	8.65	–	9.35	
$V_{RLINE}$	Line Regulation	$V_{IN} = 11.5V$ to $23V$ , $I_{OUT} = 500mA$ , $T_J = +25^\circ C$	–	25	90	mV
$V_{RLOAD}$	Load Regulation	$V_{IN} = 14V$ , $I_{OUT} = 5mA$ to $1A$ , $T_J = +25^\circ C$	–	25	100	mV
$I_Q$	Quiescent Current	$V_{IN} = 15V$ , $I_{OUT} = 0$	–	3.2	6	mA
$\Delta I_Q$	Quiescent Current Change	$V_{IN} = 11.5V$ to $23V$ , $I_{OUT} = 500mA$ , $T_J = +25^\circ C$	–	0.3	0.8	mA
		$I_{OUT} = 5mA$ to $1A$ , $T_J = +25^\circ C$	–	0.08	0.5	
PSRR	Ripple Rejection	$V_{IN} = 11.5V$ to $21.5V$ , $f = 120Hz$ , $I_{OUT} = 500mA$	–	61	–	dB
$V_{DROP}$	Dropout Voltage	$\Delta V_{OUT} = 1\%$ , $I_{OUT} = 1A$ , $T_J = +25^\circ C$	–	2	–	V
$N_O$	Output Noise Voltage	$f = 10Hz$ to $100kHz$ , $T_A = +25^\circ C$	–	10	–	$\mu V/V_O$
$R_O$	Output Resistance	$f = 1kHz$	–	10	–	m $\Omega$
$I_{SC}$	Short Circuit Current	$V_{IN} = 35V$ , $T_A = +25^\circ C$	–	0.2	–	A
$I_{PK}$	Peak Output Current	$V_{IN} = 15V$ , $T_J = +25^\circ C$	–	2.2	–	A
$\Delta V_{OUT}/\Delta T$	Output Voltage Temperature Coefficient	–	–	0.72	–	mV/ $^\circ C$
$(\Delta V_{OUT}/V_{OUT})/\square \Delta T$		–	–	80	–	ppm/ $^\circ C$
$\theta_{JC}$	Thermal Resistance	TO-220-3	–	9	–	$^\circ C/W$
		TO-252-2 (3)/ TO-252-2 (4)/ TO-252-2 (5)	–	16	–	
		TO-220F-3	–	9	–	
		–	–	–	–	



**Electrical Characteristics** (Cont.)

**AS7812A** (@  $V_{IN} = 19V$ ,  $I_{OUT} = 1A$ ,  $T_J = -40$  to  $+125^\circ C$ , unless otherwise specified.)

Symbol	Parameter	Conditions	Min	Typ	Max	Unit
$V_{OUT}$	Output Voltage	$T_J = +25^\circ C$	11.75	12	12.25	V
		$I_{OUT} = 5mA$ to $1A$ , $V_{IN} = 14.8V$ to $27V$ , $P_D \leq 15W$	11.5	–	12.5	
$V_{RLINE}$	Line Regulation	$V_{IN} = 14.8V$ to $27V$ , $I_{OUT} = 500mA$ , $T_J = +25^\circ C$	–	25	120	mV
$V_{RLOAD}$	Load Regulation	$V_{IN} = 19V$ , $I_{OUT} = 5mA$ to $1A$ , $T_J = 25^\circ C$	–	40	120	mV
$I_Q$	Quiescent Current	$V_{IN} = 19V$ , $I_{OUT} = 0$	–	3.4	6	mA
$\Delta I_Q$	Quiescent Current Change	$V_{IN} = 14.8V$ to $30V$ , $I_{OUT} = 500mA$ , $T_J = 25^\circ C$	–	0.3	0.8	mA
		$I_{OUT} = 5mA$ to $1A$ , $T_J = +25^\circ C$	–	0.08	0.5	
PSRR	Ripple Rejection	$V_{IN} = 15V$ to $25V$ , $f = 120Hz$ , $I_{OUT} = 500mA$	–	60	–	dB
$V_{DROP}$	Dropout Voltage	$\Delta V_{OUT} = 1\%$ , $I_{OUT} = 1A$ , $T_J = +25^\circ C$	–	2	–	V
$N_O$	Output Noise Voltage	$f = 10Hz$ to $100kHz$ , $T_A = +25^\circ C$	–	10	–	$\mu V/V_O$
$R_O$	Output Resistance	$f = 1kHz$	–	11	–	m $\Omega$
$I_{SC}$	Short Circuit Current	$V_{IN} = 35V$ , $T_A = +25^\circ C$	–	0.2	–	A
$I_{PK}$	Peak Output Current	$V_{IN} = 18V$ , $T_J = +25^\circ C$	–	2.2	–	A
$\frac{\Delta V_{OUT}}{\Delta T}$	Output Voltage Temperature Coefficient	–	–	0.96	–	mV/ $^\circ C$
$\frac{(\Delta V_{OUT}/V_{OUT})/\square}{\Delta T}$		–	–	80	–	ppm/ $^\circ C$
$\theta_{JC}$	Thermal Resistance	TO-220-3	–	9	–	$^\circ C/W$
		TO-252-2 (3)/ TO-252-2 (4)/ TO-252-2 (5)	–	16	–	
		TO-220F-3	–	9	–	
			–		–	

**Electrical Characteristics** (Cont.)

**AS7815A** (@  $V_{IN} = 23V$ ,  $I_{OUT} = 1A$ ,  $T_J = -40$  to  $+125^\circ C$ , unless otherwise specified.)

Symbol	Parameter	Conditions	Min	Typ	Max	Unit
$V_{OUT}$	Output Voltage	$T_J = +25^\circ C$	14.7	15	15.3	V
		$I_{OUT} = 5mA$ to $1A$ , $V_{IN} = 17.9V$ to $30V$ , $P_D \leq 15W$	14.4	–	15.6	
$V_{RLINE}$	Line Regulation	$V_{IN} = 17.9V$ to $30V$ , $I_{OUT} = 500mA$ , $T_J = +25^\circ C$	–	35	150	mV
$V_{RLOAD}$	Load Regulation	$V_{IN} = 23V$ , $I_{OUT} = 5mA$ to $1A$ , $T_J = +25^\circ C$	–	70	150	mV
$I_Q$	Quiescent Current	$V_{IN} = 23V$ , $I_{OUT} = 0$	–	3.4	6	mA
$\Delta I_Q$	Quiescent Current Change	$V_{IN} = 17.9V$ to $30V$ , $I_{OUT} = 500mA$ , $T_J = +25^\circ C$	–	0.3	0.8	mA
		$I_{OUT} = 5mA$ to $1A$ , $T_J = +25^\circ C$	–	0.08	0.5	
PSRR	Ripple Rejection	$V_{IN} = 18.5V$ to $28.5V$ , $f = 120Hz$ , $I_{OUT} = 500mA$	–	58	–	dB
$V_{DROP}$	Dropout Voltage	$\Delta V_{OUT} = 1\%$ , $I_{OUT} = 1A$ , $T_J = +25^\circ C$	–	2	–	V
$N_O$	Output Noise Voltage	$f = 10Hz$ to $100kHz$ , $T_A = +25^\circ C$	–	10	–	$\mu V/V_O$
$R_O$	Output Resistance	$f = 1kHz$	–	11	–	m $\Omega$
$I_{SC}$	Short Circuit Current	$V_{IN} = 35V$ , $T_A = +25^\circ C$	–	0.2	–	A
$I_{PK}$	Peak Output Current	$V_{IN} = 21V$ , $T_J = +25^\circ C$	–	2.2	–	A
$\Delta V_{OUT}/\Delta T$	Output Voltage Temperature Coefficient	–	–	1.2	–	mV/ $^\circ C$
$(\Delta V_{OUT}/V_{OUT})/\square \Delta T$		–	–	80	–	ppm/ $^\circ C$
$\theta_{JC}$	Thermal Resistance	TO-220-3	–	9	–	$^\circ C/W$
		TO-252-2 (3)/ TO-252-2 (4)/ TO-252-2 (5)	–	16	–	
		TO-220F-3	–	9	–	
			–			

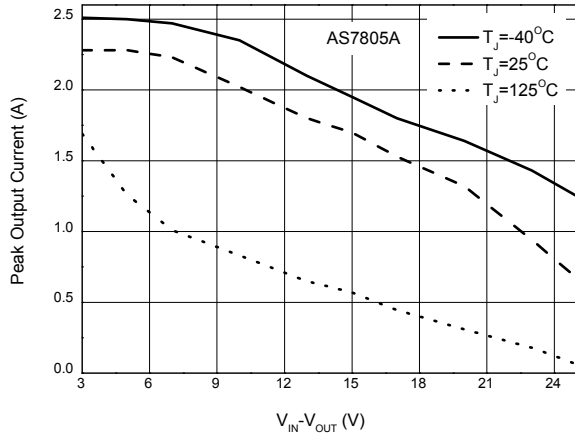
**Electrical Characteristics** (Cont.)

**AS7818A** (@  $V_{IN} = 27V$ ,  $I_{OUT} = 1A$ ,  $T_J = -40$  to  $+125^\circ C$ , unless otherwise specified.)

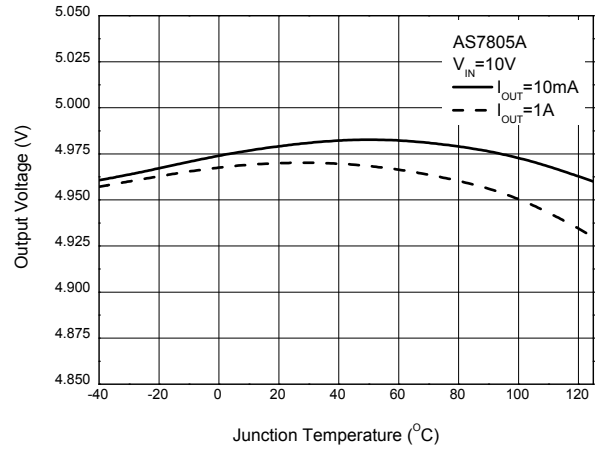
Symbol	Parameter	Conditions	Min	Typ	Max	Unit
$V_{OUT}$	Output Voltage	$T_J = +25^\circ C$	17.64	18	18.36	V
		$I_{OUT} = 5mA$ to $1A$ , $V_{IN} = 21V$ to $33V$ , $P_D \leq 15W$	17.3	–	18.7	
$V_{RLINE}$	Line Regulation	$V_{IN} = 21V$ to $33V$ , $I_{OUT} = 500mA$ , $T_J = +25^\circ C$	–	45	180	mV
$V_{RLOAD}$	Load Regulation	$V_{IN} = 27V$ , $I_{OUT} = 5mA$ to $1A$ , $T_J = +25^\circ C$	–	85	180	mV
$I_Q$	Quiescent Current	$V_{IN} = 27V$ , $I_{OUT} = 0$	–	3.6	6	mA
$\Delta I_Q$	Quiescent Current Change	$V_{IN} = 21V$ to $33V$ , $I_{OUT} = 500mA$ , $T_J = +25^\circ C$	–	0.3	0.8	mA
		$I_{OUT} = 5mA$ to $1A$ , $T_J = +25^\circ C$	–	0.08	0.5	
PSRR	Ripple Rejection	$V_{IN} = 22V$ to $32V$ , $f = 120Hz$ , $I_{OUT} = 500mA$	–	57	–	dB
$V_{DROP}$	Dropout Voltage	$\Delta V_{OUT} = 1\%$ , $I_{OUT} = 1A$ , $T_J = +25^\circ C$	–	2	–	V
$N_O$	Output Noise Voltage	$f = 10Hz$ to $100kHz$ , $T_A = +25^\circ C$	–	10	–	$\mu V/V_O$
$R_O$	Output Resistance	$f = 1kHz$	–	11	–	m $\Omega$
$I_{SC}$	Short Circuit Current	$V_{IN} = 35V$ , $T_A = +25^\circ C$	–	0.2	–	A
$I_{PK}$	Peak Output Current	$V_{IN} = 24V$ , $T_J = +25^\circ C$	–	2.2	–	A
$\Delta V_{OUT}/\Delta T$	Output Voltage Temperature Coefficient	–	–	1.44	–	mV/ $^\circ C$
$(\Delta V_{OUT}/V_{OUT})/\square \Delta T$		–	–	80	–	ppm/ $^\circ C$
$\theta_{JC}$	Thermal Resistance	TO-220-3	–	9	–	$^\circ C/W$
		TO-252-2 (3)/ TO-252-2 (4)/ TO-252-2 (5)	–	16	–	
		TO-220F-3	–	9	–	
		–	–	–	–	

**Performance Characteristics**

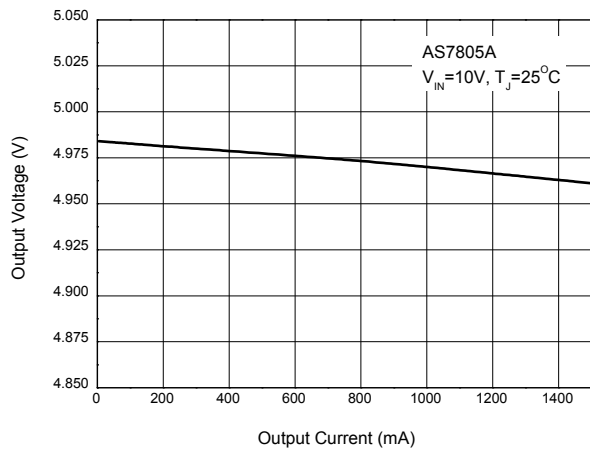
**Peak Output Current vs. Input/Output Differential Voltage**



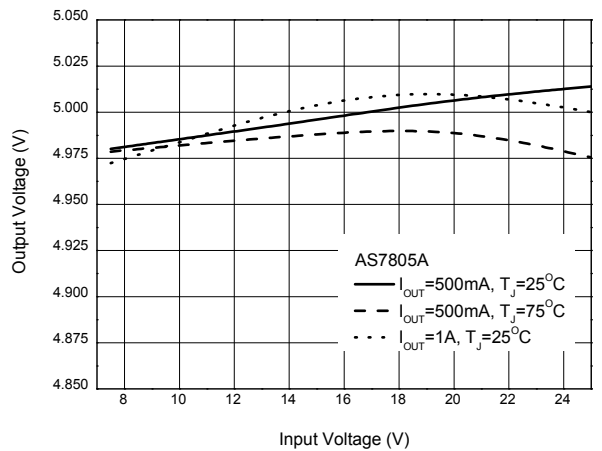
**Output Voltage vs. Junction Temperature**



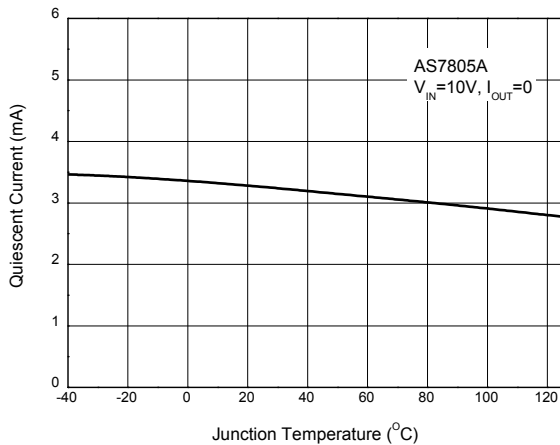
**Output Voltage vs. Output Current**



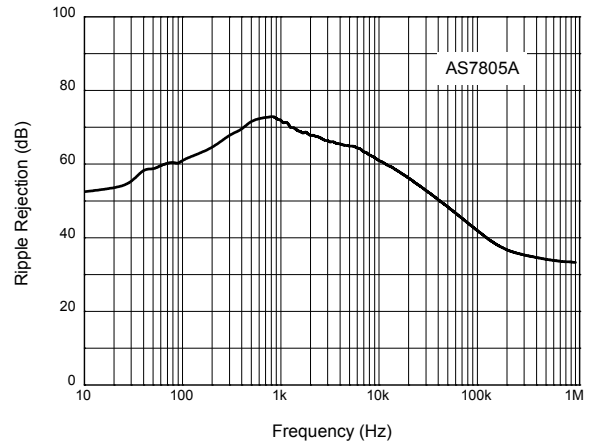
**Output Voltage vs. Input Voltage**



**Quiescent Current vs. Junction Temperature**

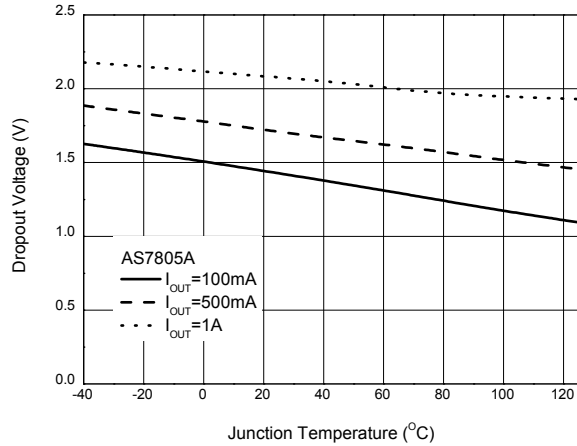


**Ripple Rejection vs. Frequency**

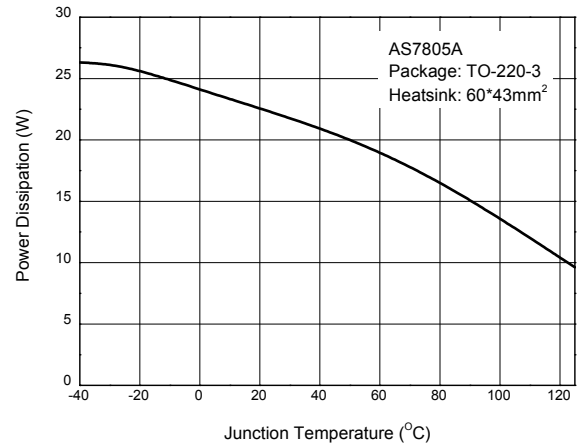


**Performance Characteristics (Cont.)**

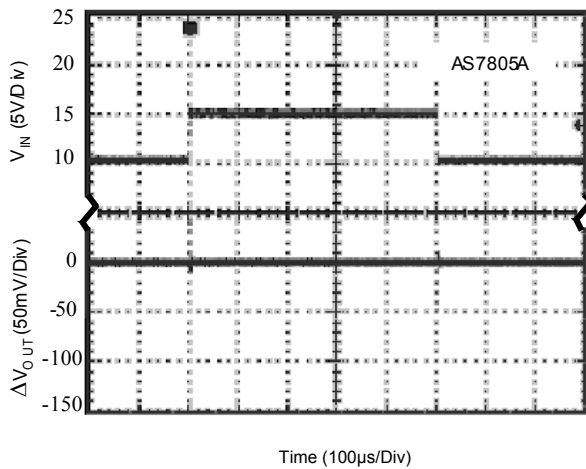
**Dropout Voltage vs. Junction Temperature**



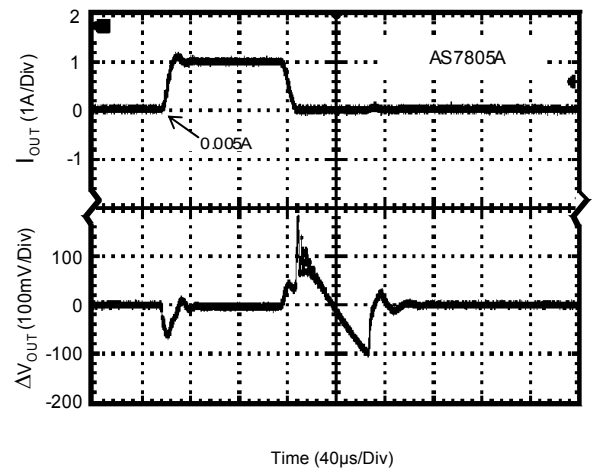
**Power Dissipation vs. Junction Temperature**



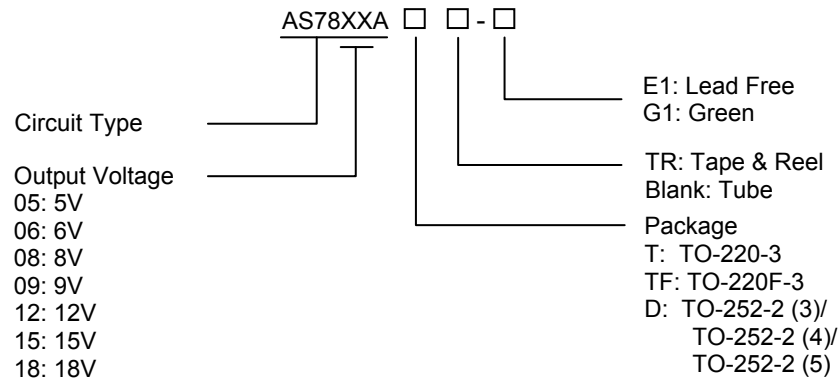
**Line Transient**  
(Conditions:  $I_{OUT} = 500\text{mA}$ ,  $C_{OUT} = 0.1\mu\text{F}$ )



**Load Transient**  
(Conditions:  $V_{IN} = 10\text{V}$ ,  $C_{IN} = 0.33\mu\text{F}$ ,  $C_{OUT} = 0.1\mu\text{F}$ )



## Ordering Information

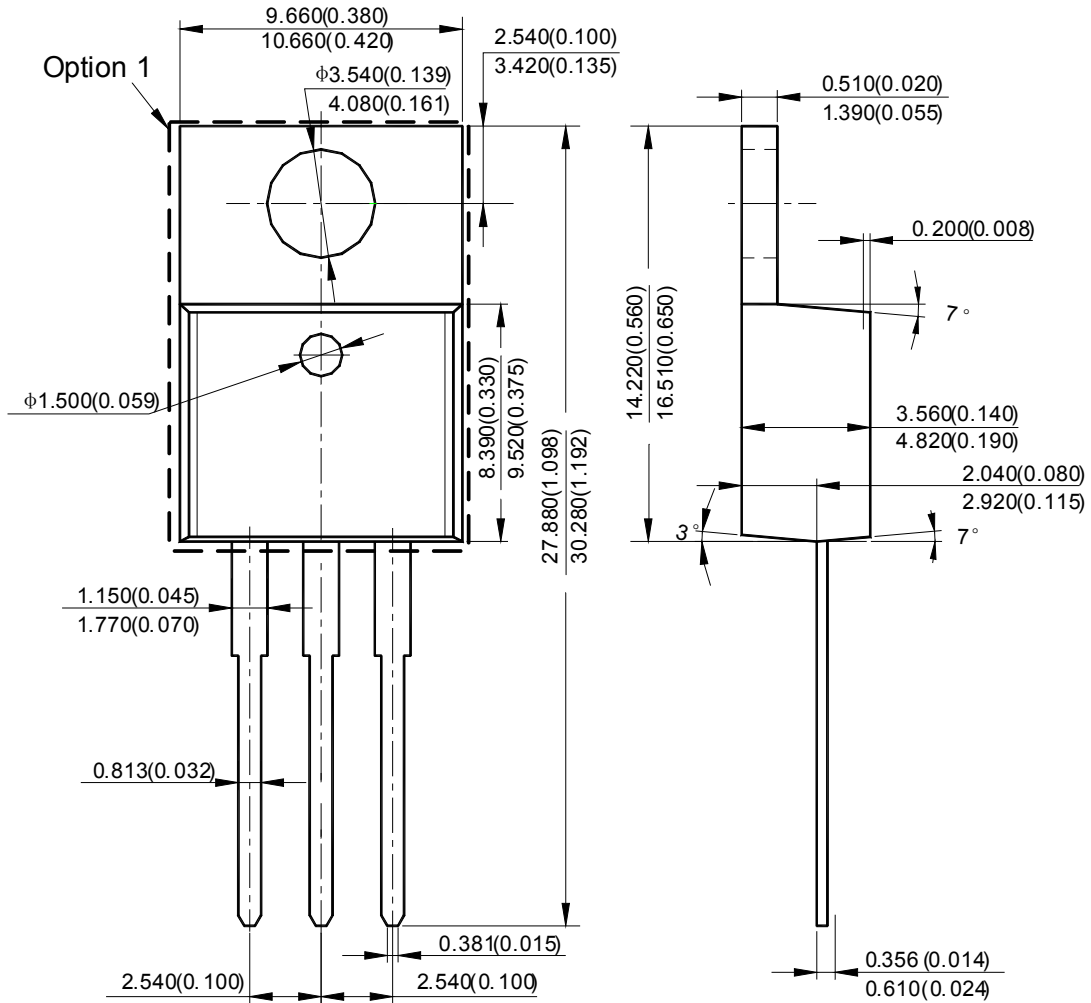


Package	Temperature Range	Part Number		Marking ID		Packing Type
		Lead Free	Green	Lead Free	Green	
  TO-220-3	-40 to +125°C	AS7805AT-E1	AS7805AT-G1	AS7805AT-E1	AS7805AT-G1	Tube
		AS7806AT-E1	AS7806AT-G1	AS7806AT-E1	AS7806AT-G1	Tube
		AS7808AT-E1	AS7808AT-G1	AS7808AT-E1	AS7808AT-G1	Tube
		AS7809AT-E1	AS7809AT-G1	AS7809AT-E1	AS7809AT-G1	Tube
		AS7812AT-E1	AS7812AT-G1	AS7812AT-E1	AS7812AT-G1	Tube
		AS7815AT-E1	AS7815AT-G1	AS7815AT-E1	AS7815AT-G1	Tube
  TO-220F-3	-40 to +125°C	AS7805ATF-E1	AS7805ATF-G1	AS7805ATF-E1	AS7805ATF-G1	Tube
		AS7806ATF-E1	AS7806ATF-G1	AS7806ATF-E1	AS7806ATF-G1	Tube
		AS7808ATF-E1	AS7808ATF-G1	AS7808ATF-E1	AS7808ATF-G1	Tube
		AS7809ATF-E1	AS7809ATF-G1	AS7809ATF-E1	AS7809ATF-G1	Tube
		AS7812ATF-E1	AS7812ATF-G1	AS7812ATF-E1	AS7812ATF-G1	Tube
		AS7815ATF-E1	AS7815ATF-G1	AS7815ATF-E1	AS7815ATF-G1	Tube
 Lead-Free  Lead-free Green TO-252-2 (3)/ TO-252-2 (4)/ TO-252-2 (5)	-40 to +125°C	AS7805ADTR-E1	AS7805ADTR-G1	AS7805AD-E1	AS7805AD-G1	Tape & Reel
		AS7806ADTR-E1	AS7806ADTR-G1	AS7806AD-E1	AS7806AD-G1	Tape & Reel
		AS7808ADTR-E1	AS7808ADTR-G1	AS7808AD-E1	AS7808AD-G1	Tape & Reel
		AS7809ADTR-E1	AS7809ADTR-G1	AS7809AD-E1	AS7809AD-G1	Tape & Reel
		AS7812ADTR-E1	AS7812ADTR-G1	AS7812AD-E1	AS7812AD-G1	Tape & Reel
		AS7815ADTR-E1	AS7815ADTR-G1	AS7815AD-E1	AS7815AD-G1	Tape & Reel
AS7818ADTR-E1	AS7818ADTR-G1	AS7818AD-E1	AS7818AD-G1	Tape & Reel		

BCD Semiconductor's Pb-free products, as designated with "E1" suffix in the part number, are RoHS compliant. Products with "G1" suffix are available in green packages.

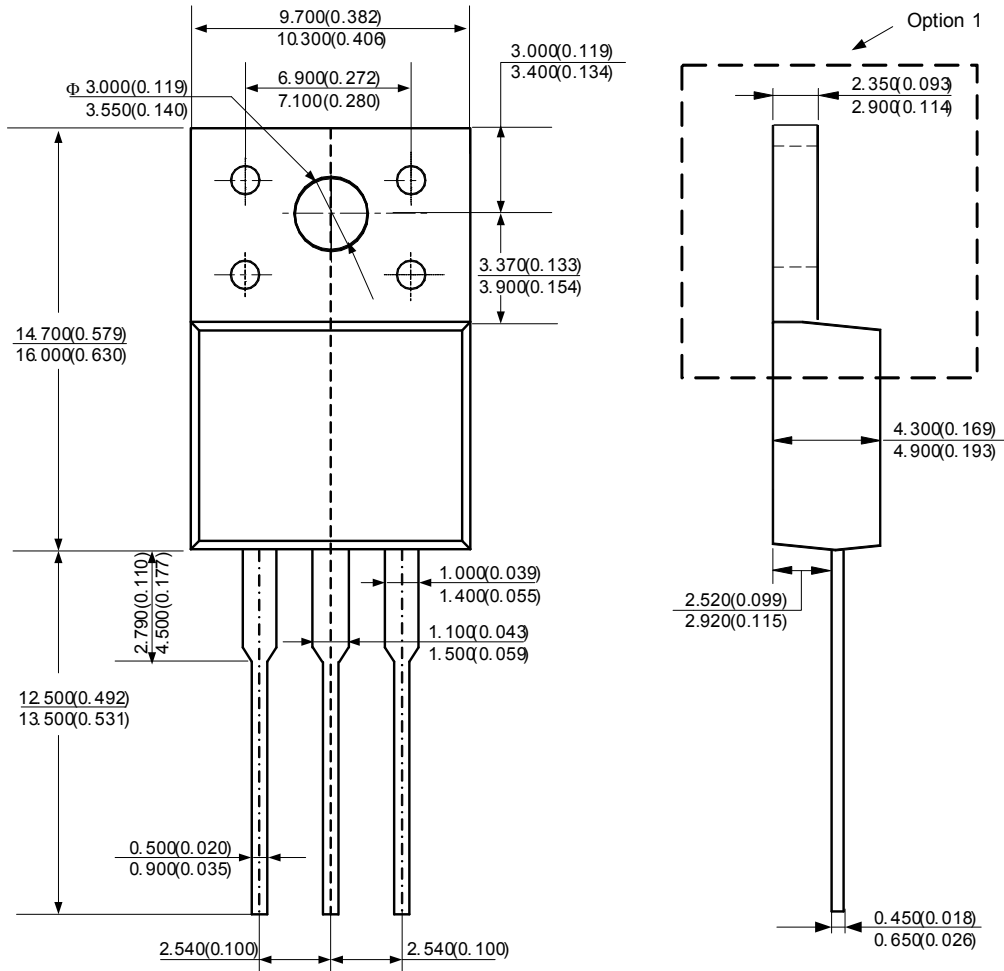
**Package Outline Dimensions** (All dimensions in mm(inch).)

**TO-220-3**

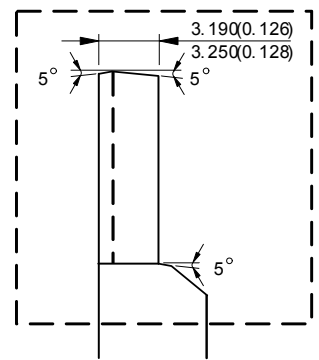


**Package Outline Dimensions** (Cont. All dimensions in mm(inch).)

**TO-220F-3**



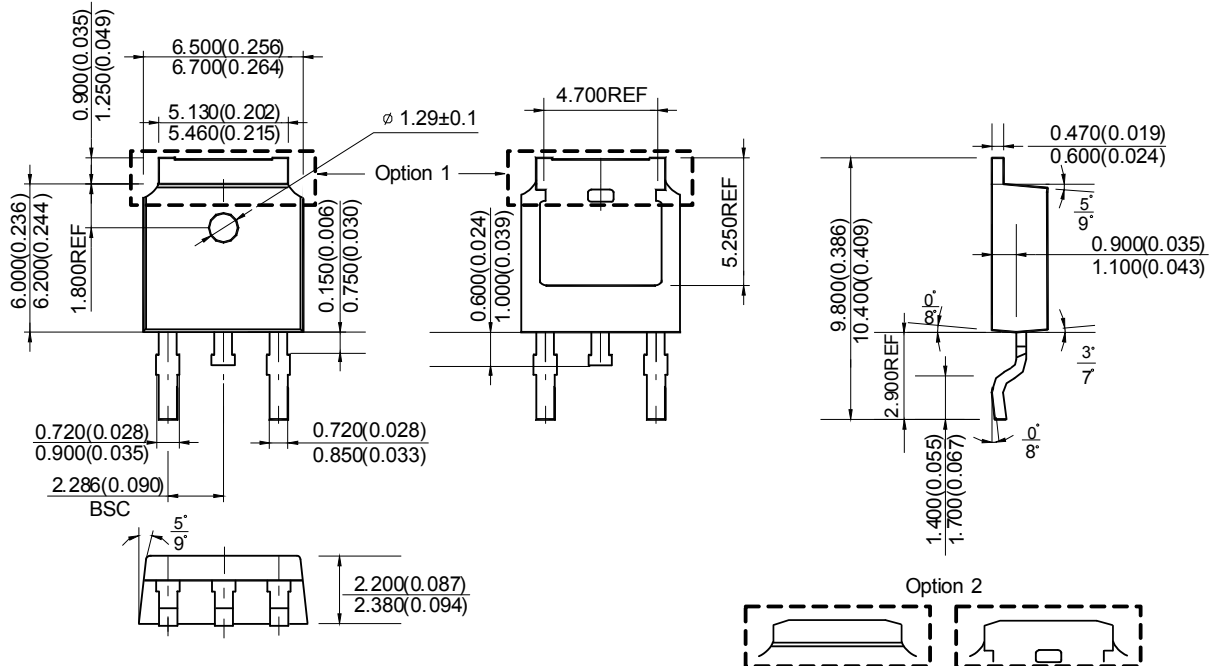
**Option 2**





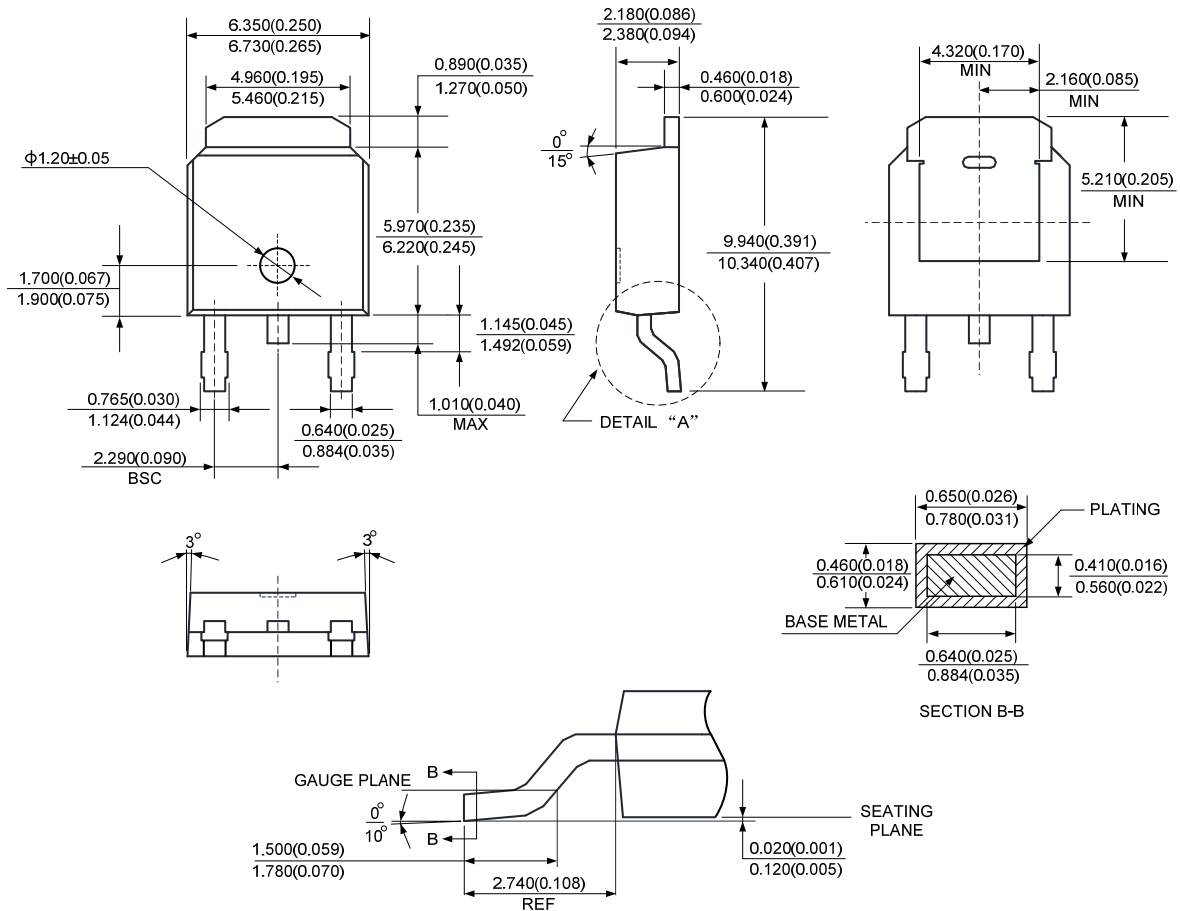
**Package Outline Dimensions** (Cont. All dimensions in mm(inch).)

**TO-252-2 (3)**



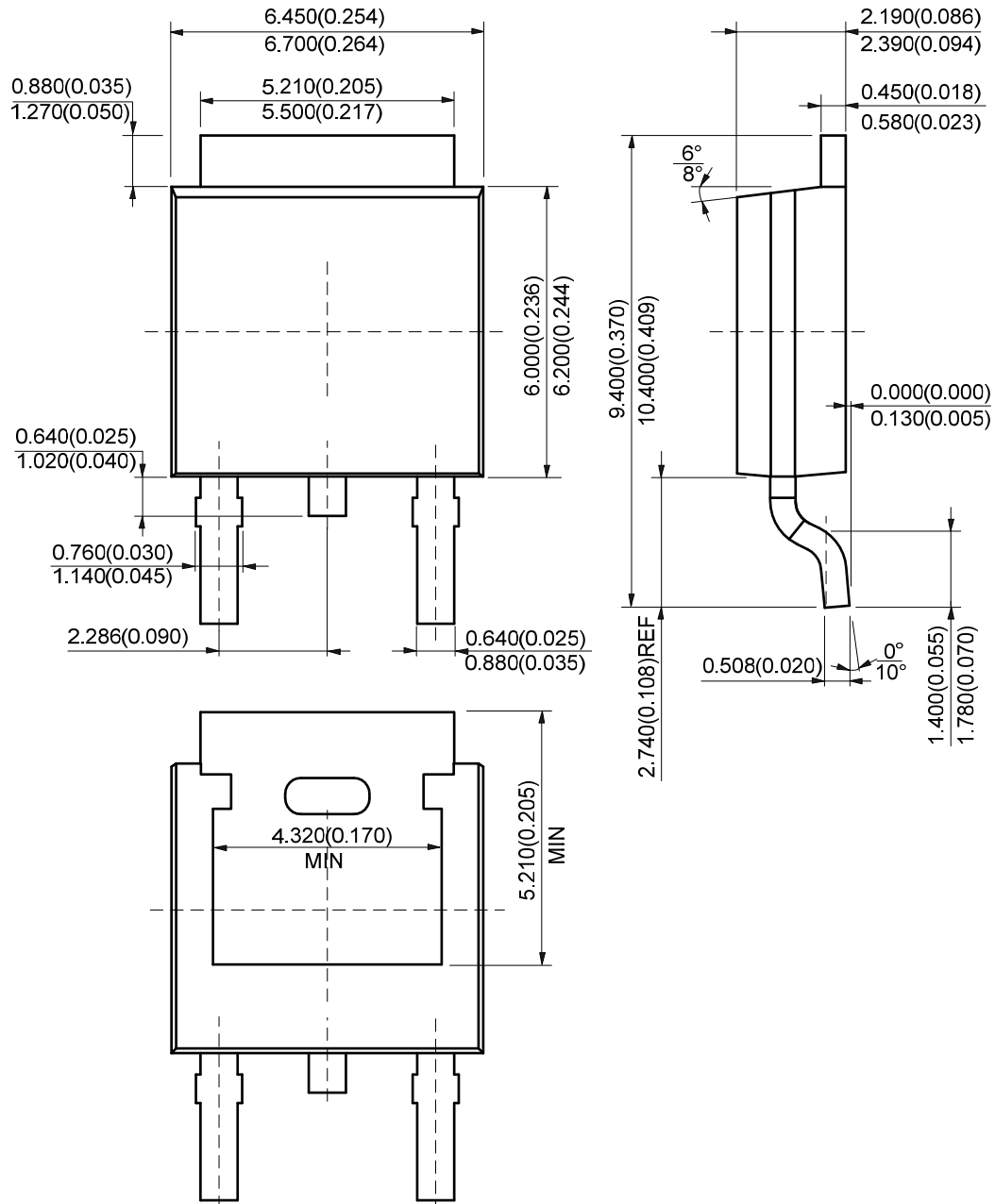
**Package Outline Dimensions** (Cont. All dimensions in mm(inch).)

**TO-252-2 (4)**



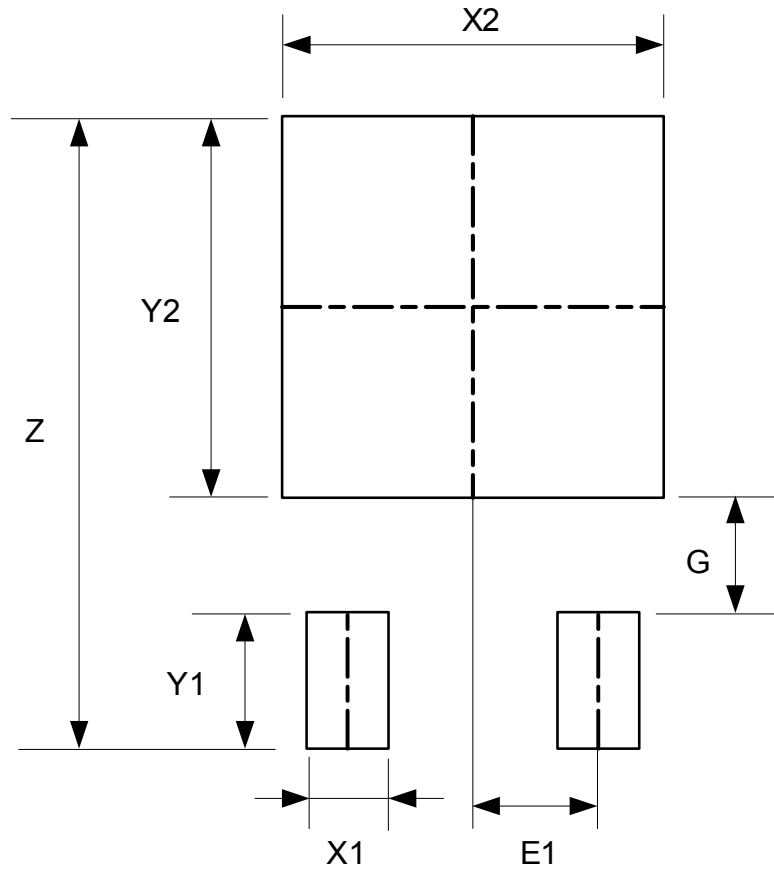
**Package Outline Dimensions** (Cont. All dimensions in mm(inch).)

**TO-252-2 (5)**



**Suggested Pad Layout**

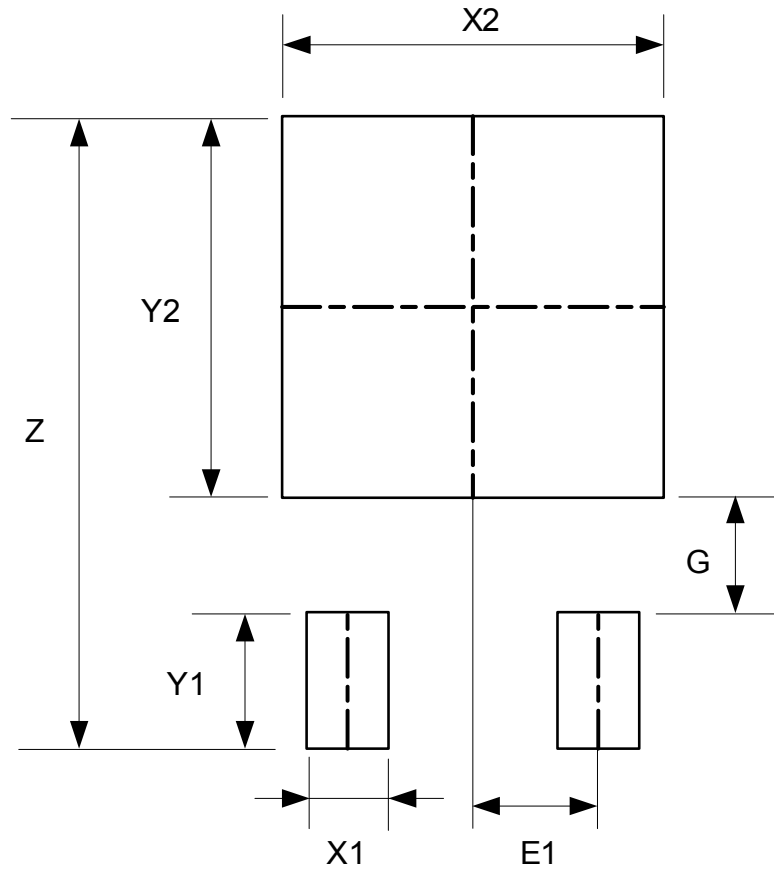
TO-252-2 (3)



Dimensions	Z (mm)/(inch)	X1 (mm)/(inch)	X2 = Y2 (mm)/(inch)	Y1 (mm)/(inch)	G (mm)/(inch)	E1 (mm)/(inch)
Value	11.600/0.457	1.500/0.059	7.000/0.276	2.500/0.098	2.100/0.083	2.300/0.091

**Suggested Pad Layout (Cont.)**

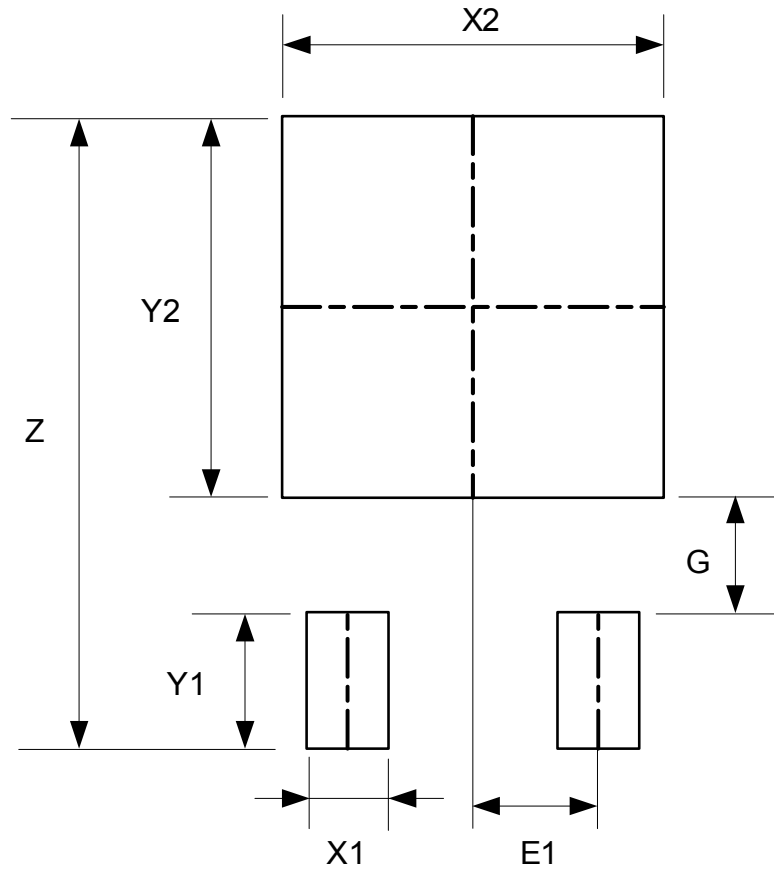
**TO-252-2 (4)**



Dimensions	Z (mm)/(inch)	X1 (mm)/(inch)	X2 = Y2 (mm)/(inch)	Y1 (mm)/(inch)	G (mm)/(inch)	E1 (mm)/(inch)
Value	11.600/0.457	1.500/0.059	7.000/0.276	2.500/0.098	2.100/0.083	2.300/0.091

**Suggested Pad Layout (Cont.)**

**TO-252-2 (5)**



Dimensions	Z (mm)/(inch)	X1 (mm)/(inch)	X2 = Y2 (mm)/(inch)	Y1 (mm)/(inch)	G (mm)/(inch)	E1 (mm)/(inch)
Value	11.600/0.457	1.500/0.059	7.000/0.276	2.500/0.098	2.100/0.083	2.300/0.091

**IMPORTANT NOTICE**

DIODES INCORPORATED MAKES NO WARRANTY OF ANY KIND, EXPRESS OR IMPLIED, WITH REGARDS TO THIS DOCUMENT, INCLUDING, BUT NOT LIMITED TO, THE IMPLIED WARRANTIES OF MERCHANTABILITY AND FITNESS FOR A PARTICULAR PURPOSE (AND THEIR EQUIVALENTS UNDER THE LAWS OF ANY JURISDICTION).

Diodes Incorporated and its subsidiaries reserve the right to make modifications, enhancements, improvements, corrections or other changes without further notice to this document and any product described herein. Diodes Incorporated does not assume any liability arising out of the application or use of this document or any product described herein; neither does Diodes Incorporated convey any license under its patent or trademark rights, nor the rights of others. Any Customer or user of this document or products described herein in such applications shall assume all risks of such use and will agree to hold Diodes Incorporated and all the companies whose products are represented on Diodes Incorporated website, harmless against all damages.

Diodes Incorporated does not warrant or accept any liability whatsoever in respect of any products purchased through unauthorized sales channel. Should Customers purchase or use Diodes Incorporated products for any unintended or unauthorized application, Customers shall indemnify and hold Diodes Incorporated and its representatives harmless against all claims, damages, expenses, and attorney fees arising out of, directly or indirectly, any claim of personal injury or death associated with such unintended or unauthorized application.

Products described herein may be covered by one or more United States, international or foreign patents pending. Product names and markings noted herein may also be covered by one or more United States, international or foreign trademarks.

This document is written in English but may be translated into multiple languages for reference. Only the English version of this document is the final and determinative format released by Diodes Incorporated.

**LIFE SUPPORT**

Diodes Incorporated products are specifically not authorized for use as critical components in life support devices or systems without the express written approval of the Chief Executive Officer of Diodes Incorporated. As used herein:

A. Life support devices or systems are devices or systems which:

1. are intended to implant into the body, or
2. support or sustain life and whose failure to perform when properly used in accordance with instructions for use provided in the labeling can be reasonably expected to result in significant injury to the user.

B. A critical component is any component in a life support device or system whose failure to perform can be reasonably expected to cause the failure of the life support device or to affect its safety or effectiveness.

Customers represent that they have all necessary expertise in the safety and regulatory ramifications of their life support devices or systems, and acknowledge and agree that they are solely responsible for all legal, regulatory and safety-related requirements concerning their products and any use of Diodes Incorporated products in such safety-critical, life support devices or systems, notwithstanding any devices- or systems-related information or support that may be provided by Diodes Incorporated. Further, Customers must fully indemnify Diodes Incorporated and its representatives against any damages arising out of the use of Diodes Incorporated products in such safety-critical, life support devices or systems.

Copyright © 2013, Diodes Incorporated

[www.diodes.com](http://www.diodes.com)